

SCHure • Lock

Carbide Knife System

For Moulders, Shapers, Tenoners

•• Features ••

- Precision HS Steel Blanks
- Mirror Finish on face side
- Lengths up to 310mm long*
- Four Widths for planing and profiling
- Interlocking corrugations on both the steel and the carbide
- Fits into any 60° corrugated head capable of accepting 3/8" knives

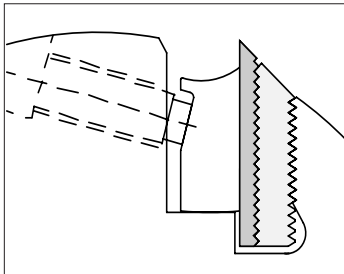
Quality Woodworking Tools and Accessories Since 1926
See all of our tools and machinery in catalog NO. 1200
or visit our website at www.cggschmidt.com



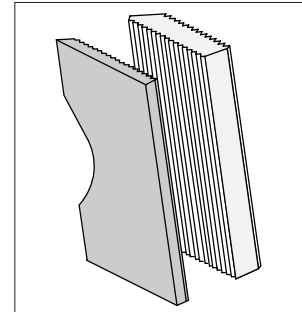
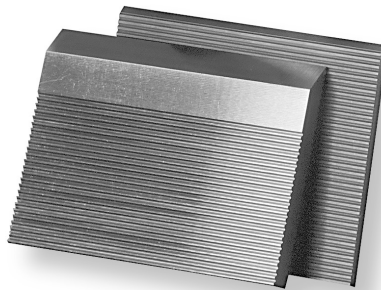
SCHure • Lock

SCHure • Lock CARBIDE KNIFE SYSTEM

SCHure Lock Carbide knife system gives you the ability to grind your own carbide straight and profiled knives without grinding steel and carbide at the same time, which can cause the grinding wheel to load and deteriorate prematurely. Interlocking corrugations on both the face of the corrugated steel blank and the back of the solid carbide knife, allow the pieces to be ground separately. Premium C3 micrograin carbide gives superior tool life in tough materials like MDF and abrasive natural woods. The full corrugation design allows more adjustment than similar products. Available in three widths for planing and profiling. 60° corrugations only. Any SCHure Lock Knives can be custom ground to your profile. Quoted on request.



Fits in all types of cutter heads capable of accepting 3/8" thick knives.



Interlocking corrugations insure a SCHure • Lock fit.

Cutting Length	38mm Width	Price	50mm Width	Price	60mm Width	Price	70mm Width	Price
metric • (inch)	CAT. NO.		CAT. NO.		CAT. NO.		CAT. NO.	
10mm (.39")	SL103S	\$ 12.95	SL105S	\$ 16.15	SL106S	\$ 17.15		
20mm (.78")	SL203S	\$ 25.90	SL205S	\$ 33.20	SL206S	\$ 34.15		
30mm (1.18")	SL303S	\$ 38.85	SL305S	\$ 49.80	SL306S	\$ 51.30	SL307S	\$ 58.95
40mm (1.57")	SL403S	\$ 51.80	SL405S	\$ 66.35	SL406S	\$ 68.45	SL407S	\$ 78.70
50mm (1.96")	SL503S	\$ 64.90	SL505S	\$ 75.40	SL506S	\$ 76.60	SL507S	\$ 88.10
60mm (2.36")	SL603S	\$ 76.60	SL605S	\$ 81.65	SL606S	\$ 84.10	SL607S	\$ 96.70
70mm (2.75")	SL703S	\$ 89.30	SL705S	\$ 95.30	SL706S	\$ 98.20	SL707S	\$ 112.95
80mm (3.14")	SL803S	\$ 102.10	SL805S	\$ 108.80	SL806S	\$ 112.30	SL807S	\$ 129.15
90mm (3.54")	SL903S	\$ 114.85	SL905S	\$ 121.40	SL906S	\$ 132.75	SL907S	\$ 153.65
100mm (3.93")	SL1003S	\$ 127.60	SL1005S	\$ 136.10	SL1006S	\$ 139.40	SL1007S	\$ 164.50
110mm (4.33")	SL1103S	\$ 140.35	SL1105S	\$ 149.00	SL1106S	\$ 153.55	SL1107S	\$ 181.20
120mm (4.72")	SL1203S	\$ 152.20	SL1205S	\$ 157.05	SL1206S	\$ 161.90	SL1207S	\$ 191.05
130mm (5.11")	SL1303S	\$ 162.90	SL1305S	\$ 176.80	SL1306S	\$ 182.20	SL1307S	\$ 215.95
140mm (5.51")	SL1403S	\$ 178.60	SL1405S	\$ 190.50	SL1406S	\$ 196.30	SL1407S	\$ 231.65
150mm (5.90")	SL1503S	\$ 190.50	SL1505S	\$ 203.90	SL1506S	\$ 210.20	SL1507S	\$ 248.00
160mm (6.29")	SL1603S	\$ 204.15	SL1605S	\$ 217.70	SL1606S	\$ 223.60	SL1607S	\$ 251.85
170mm (6.69")	SL1703S	\$ 210.60	SL1705S	\$ 232.80	SL1706S	\$ 237.50	SL1707S	\$ 259.25
180mm (7.08")	SL1803S	\$ 229.70	SL1805S	\$ 245.90	SL1806S	\$ 254.40	SL1807S	\$ 279.20
190mm (7.48")	SL1903S	\$ 242.40	SL1905S	\$ 253.50	SL1906S	\$ 266.30	SL1907S	\$ 295.35
200mm (7.87")	SL2003S	\$ 257.00	SL2005S	\$ 268.40	SL2006S	\$ 279.40	SL2007S	\$ 305.70
210mm (8.26")	SL2103S	\$ 269.95	SL2105S	\$ 279.60	SL2106S	\$ 287.15	SL2107S	\$ 315.80
220mm (8.66")	SL2203S	\$ 278.50	SL2205S	\$ 293.10	SL2206S	\$ 297.80	SL2207S	\$ 339.40
230mm (9.05")	SL2303S	\$ 298.20	SL2305S	\$ 305.10	SL2306S	\$ 324.20	SL2307S	\$ 356.55
240mm (9.44")	SL2403S	\$ 309.50	SL2405S	\$ 332.90	SL2406S	\$ 361.15	SL2407S	\$ 385.75
250mm (9.84")	SL2503S	\$ 313.70	SL2505S	\$ 342.05	SL2506S	\$ 323.05	SL2507S	\$ 398.00
310mm (12.20")	SL3103S	\$ 250.00	SL3105S	\$ 285.20	SL3106S	\$ 331.35	SL3107S	\$ 403.00

Charles G. G. Schmidt & Co., Inc.

301 West Grand Avenue Montvale, NJ 07645

1 201-391-5300 Fax: 1 201-391-3565

Toll Free Order Line: 1 800 SCHMIDT (724-6438)

Email us at sales@cgg Schmidt.com

